

## CONDUIT BODIES • COVERS • GASKETS

Threaded TB Conduit Body Form 7 Gray Iron

*\*COMING SEPTEMBER 2016\**



### Applications

To provide access to conductors for pulling, splicing and maintenance

### Features

- Tapered threaded hubs - NPT
- Suitable for use in concrete

### Standard Materials

Cover and clips - Gray iron steel  
Screws - Stainless steel  
Gasket - Neoprene

### Standard Finish

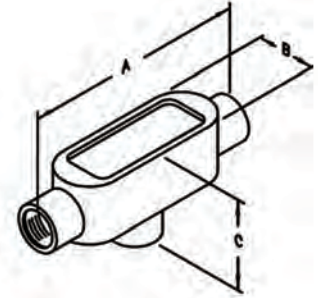
Zinc plated with aluminum enamel paint

### Applicable Third Party Standards

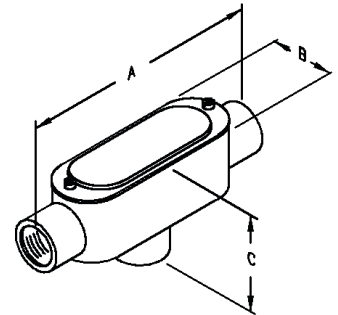
- UL Standard: 514A
- Fed. Spec. W-C-586D
- NEMA: FB-1
- CSA 243470
- UL Listed File # E208392



TBKON



TB-CGKON



### Threaded TB Conduit Bodies

CATALOG NUMBER	TRADE SIZE	DIM A	DIM B	DIM C	MASTER PACK	WEIGHT PER C
TB17KON	1/2"	5.500	1.313	2.750	5	130.2
TB27KON	3/4"	6.125	1.563	3.063	5	188.6
TB37KON	1"	7.063	1.750	3.250	2	249.2
TB47KON	1-1/4"	7.625	2.188	2.438	2	305.6
TB57KON	1-1/2"	8.188	2.438	2.625	2	369.6
TB67KON	2"	9.250	3.000	3.250	2	551.4

### Threaded TB Conduit Bodies with Cover and Gasket

CATALOG NUMBER	TRADE SIZE	DIM A	DIM B	DIM C	MASTER PACK	WEIGHT PER C
TB17-CGKON	1/2"	5.500	1.313	3.000	5	145.8
TB27-CGKON	3/4"	6.125	1.563	3.313	5	206.2
TB37-CGKON	1"	7.063	1.750	3.500	2	275.8
TB47-CGKON	1-1/4"	7.625	2.188	2.625	2	343.3
TB57-CGKON	1-1/2"	8.188	2.438	1.813	2	402.2
TB67-CGKON	2"	9.250	3.000	3.438	2	607.6

Aluminum and Hot Dipped Galvanized available upon request